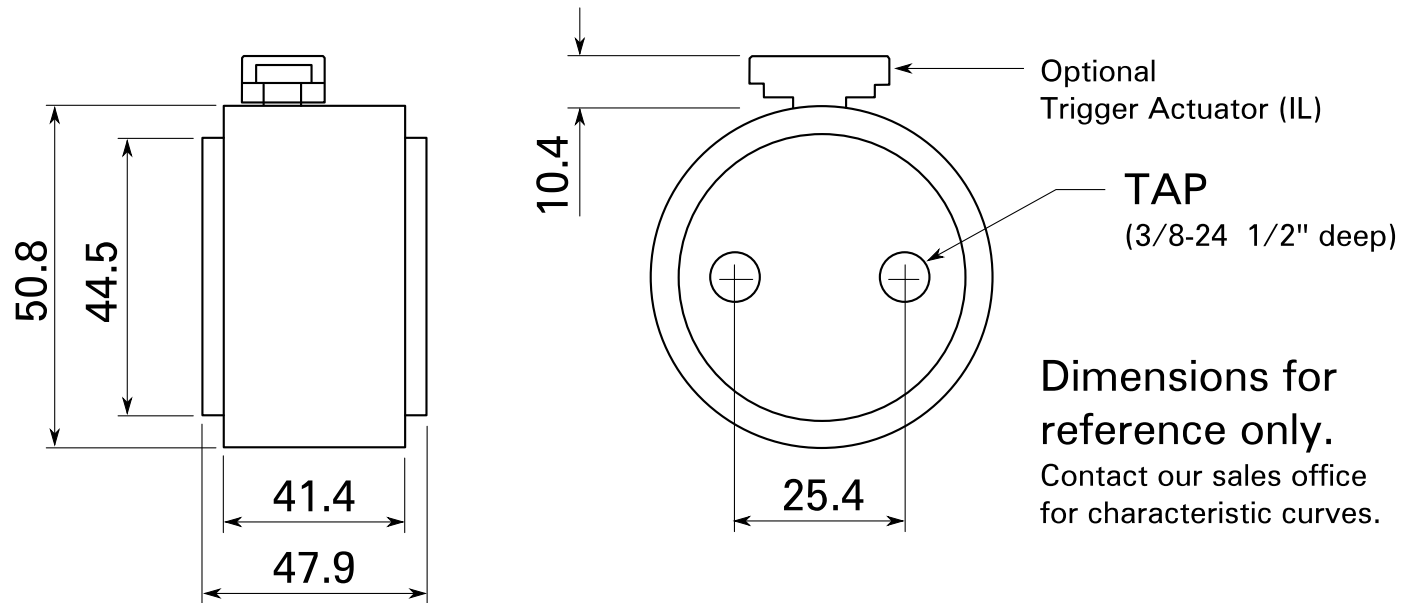


**SPECIAL PURPOSE FUSES LA15QS Semiconductor Fuses, Hockey Puck, Bolt-In**  
**150 Volt AC/DC • Very Fast Acting • 1000, 1200, 1500 and 2000 Amperes**



Reference illustration only,  
without Trigger Actuator (IL).



LA15QS series Semiconductor fuses were designed for the specific protection of diodes and other semiconductor devices rated 150 Volt AC/DC. The LA15QS product line compact design is perfect for those applications that have limitations on available space.

**APPLICATIONS**

Protection of heavy duty devices such as electromechanical rectifiers.

**FEATURES**

- Low I<sup>2</sup>t minimizes damage to protected components on short-circuit.
- Controlled arc voltage reduces stress to circuit components during fuse clearing.
- Choice of mounting types provides options for unique termination requirements.
- Indicator options available, allow identification of blown fuses.

Note: Mounting types and integral blown fuse indicators are optional for specified ratings.

**SPECIFICATIONS**

Voltage Rating

AC: 150 volts

DC: 150 volts

Interrupting Rating:

AC 100,000 Amperes

Ampere Range:

1000 to 2000 Amperes

(Complete Range includes 1 to 6000 Amperes)

Approvals:

UL Recognized under the components program.

Tolerance	Approved		Date		www.biagmbh.com Copyright © B-I-A GmbH, Germany		
	Updated		Date		<b>B-I-A Vertriebs GmbH</b>		
	Drawn	jup	Date	2006-09-14	www.biaonline.com		info@biagmbh.com
	Catalog No.	<b>LA15QS-128</b>		P/N Line	<b>126556</b>	<b>L1263</b>	
	Drawing No.	LA015QS-00	Rev. A	Material		Unit	mm
				Scale			