



VISUAL SIGNALS



Chameleon™ LED Multi-Status Indicator

*PLC Compatible
Type 4X*

103 & 103I Series

FEATURES

- > Weatherproof
- > 3 Visual Signals in One Compact Housing
- > Multiple LED clusters in red, green and amber or red, blue and amber
- > 120,000 hour light source life
- > 18 inch wire leads
- > Immune to shock and vibration

AGENCY APPROVALS

- > UL 1638 Listed
- > cUL Listed C22.2 No. 205
- > UL Listed NEMA Type 4X

The Chameleon 103I Series** features an onboard processor with an internal jumper that allows the unit to function as either a steady or flashing visual signal. The Chameleon is designed such that any one or all three lights can be activated by either a PLC or contact closure. The first light activated will illuminate either steady or flashing (set by an internal jumper). If a second light is activated, the Chameleon cycles between the two colors. A third activation causes the Chameleon to cycle between all three colors: red, amber, and green or red, amber, and blue.

The Chameleon 103 Series has all the functionality of the 103I with the exception of the onboard processor and internal jumper. While both series are PLC compatible, the 103 is designed such that all signal operation is controlled directly through a PLC's ladder logic rather than through the Chameleon's internal processor.

Either Series Chameleon may be panel or conduit mounted. An integral double-threaded (internal/external) mounting nipple accommodates 3/4" (19mm) or 1/2" (13mm) conduit mounting.

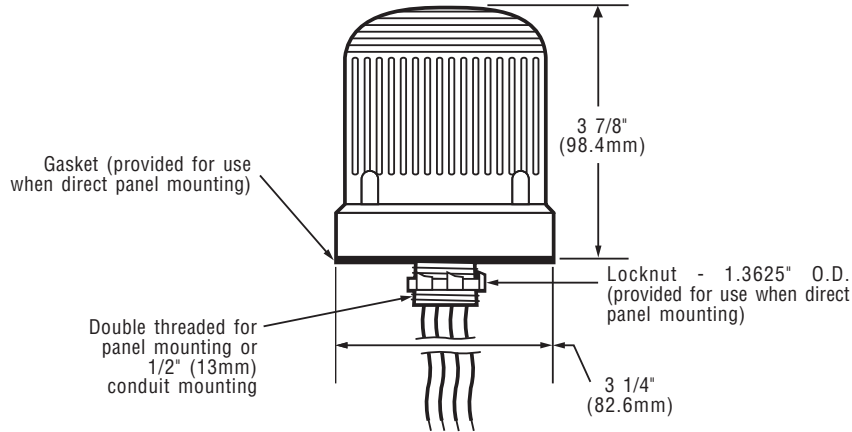
Edwards long life multi-status visual indicators are ideal for use where smaller lights are specified and multi status indication is required.

**Patent Pending

VISUAL SIGNALS



TECHNICAL INFORMATION



Cat. No.	LED Colors	Replacement Lens Cat. No.	Electrical Rating	Lamp Life	Lumen Ratings*
103I-RGA-G1	Red Green Amber	104-LC	24V DC	120,000 hr.	120 90 307
103-RGA-G1	Red Green Amber	104-LC	24V DC	120,000 hr.	120 90 307
103I-RGA-N5	Red Green Amber	104-LC	120V 50/60 Hz	120,000 hr.	120 90 307
103-RGA-N5	Red Green Amber	104-LC	120V 50/60 Hz	120,000 hr.	120 90 307
103I-RBA-G1	Red Blue Amber	104-LC	24V DC	120,000 hr.	120 90 307
103-RBA-G1	Red Blue Amber	104-LC	24V DC	120,000 hr.	120 90 307
103I-RBA-N5	Red Blue Amber	104-LC	120V 50/60 Hz	120,000 hr.	120 90 307
103-RBA-N5	Red Blue Amber	104-LC	120V 50/60 Hz	120,000 hr.	120 90 307

SIGNAL INPUT LOAD CHARACTERISTICS*

Cat. No.	Operating Voltage	Max. off state leakage current (mA)	Continuous on Current (mA)	Surge (inrush/duration) Amps/milliseconds
103-RBA-G1	24V DC	5	65	0.070/8
103-RGA-G1				
103-RBA-N5	120V AC	5	55	0.100/8
103-RGA-N5				
103I-RBA-G1	24V DC	5	55	0.070/8
103I-RGA-G1				
103I-RBA-N5	120V AC	5	45	0.100/8
103I-RGA-N5				

*This device is PLC compatible and may be operated by PLCs with output characteristics that match the input load requirements of this signal.