



## FIRE ALARM EQUIPMENT



## Smoke Detectors

Conventional System Device  
Ionization Models

## 2420

## FEATURES

- > Unipolar dual ionization chamber
- > Field adjustable sensitivity
- > Tamper resistant
- > LED alarm indication
- > Local function test switch
- > Low current drain permits 50 detectors on 2 wire circuit

## AGENCY APPROVALS

- > UL Listed
- > CSFM Listed

The 2420 Ionization type smoke detector responds quickly to fast burning i clean fires. The detector initiates an alarm signal and lights an indicator on the unit to give visual, local indication of an alarm. The 2420 is designed with inherent stability to inhibit false alarms caused by transient electrical disturbances. The unit automatically compensates for temperature, humidity and barometric changes. The sensitivity is preset for quick field installation and can be field adjusted to compensate for special environments.

Field wiring connections are made to screw terminals on the mounting bases supplied with the units. The detectors plug into the bases and automatically lock by a simple twist and push motion. This tamper proof feature is standard on all bases and prevents unauthorized removal of the detectors from their base.

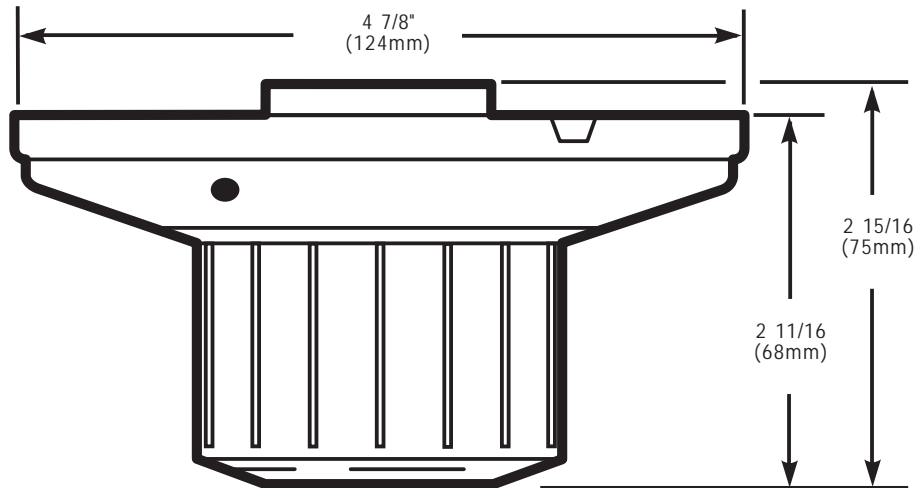
Flush mounting of the detectors is accomplished using a standard 3 1/2" (89mm) by 1 1/2" (38mm) deep or 4" (102mm) by 1 1/2" (38mm) deep octagon box.

For unlatching the grille from the detector housing or removing the detector from the base use Cat. No. 6259 Removal Tool.

For field activation of detector use test magnet P-847492-0050 (2420) or test probe 6278-001A (2430).

**FIRE ALARM EQUIPMENT** 

**TECHNICAL INFORMATION**



**PRODUCT SPECIFICATIONS**

Voltage	16V - 29V DC (22V nominal)
Standby Current	30 micro amps at nominal voltage
Alarm Current	55 mA at nominal voltage or as limited by associated control equipment
Supervisory Current	Limited by associated control equipment
Sensitivity	Meets UL 268 at 6% to 1.8% obscuration per foot (factory set to 1.2% nominal)
Operating Temperature	32F to 100F (0C to 38C)
Operating Humidity	0% to 93% relative humidity
Maximum Altitude	5400 feet (1646m) above sea level
Ionization Source	0.5 micro curies Americium 241
Color	White