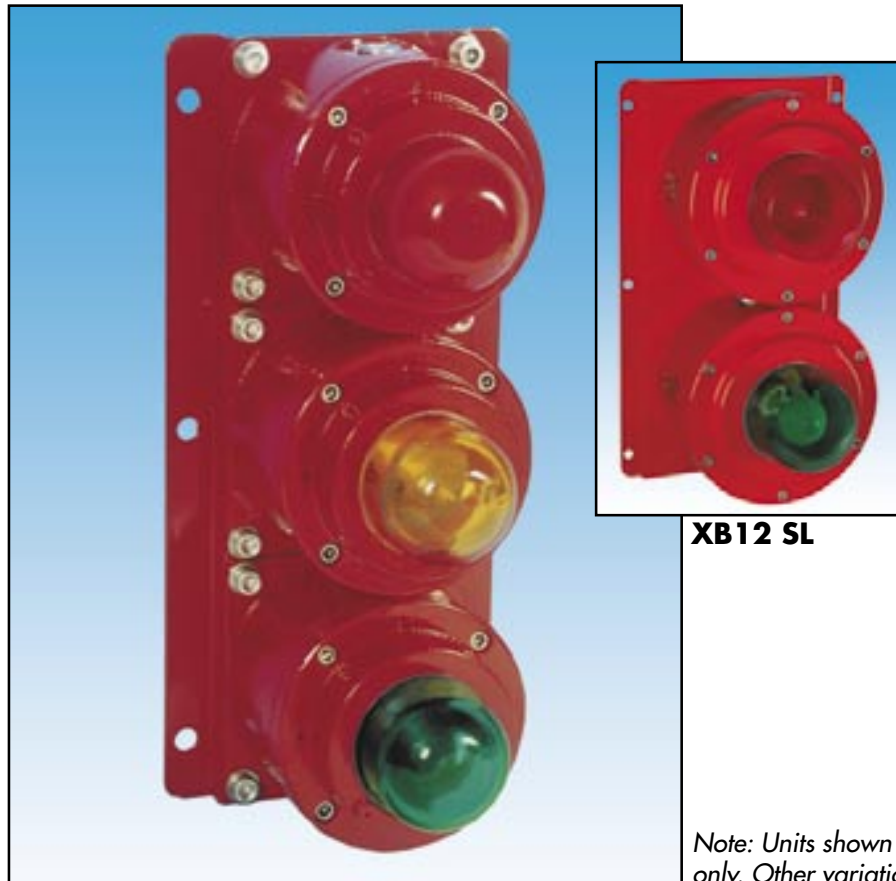


STATUS LIGHTS

Explosion-proof, Weatherproof

SM87 SL & XB12 SL Range



SM87 SL

XB12 SL

Note: Units shown are for illustration only. Other variations are available.

Introduction

These ranges of versatile status lights have been designed to suit various offshore and onshore applications.

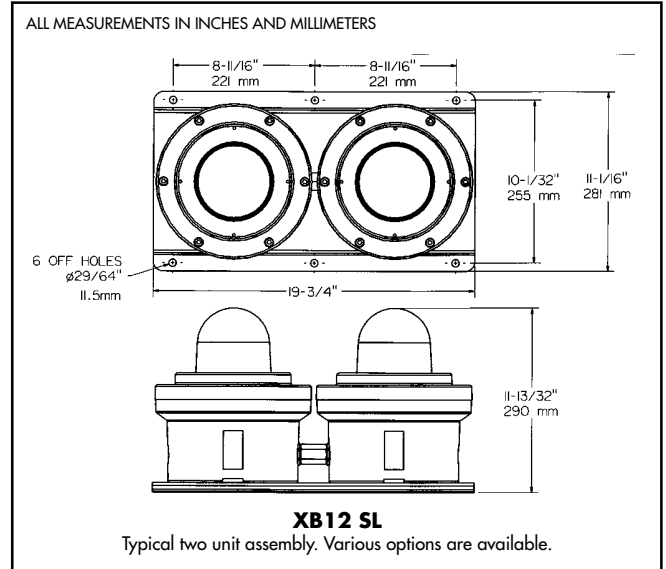
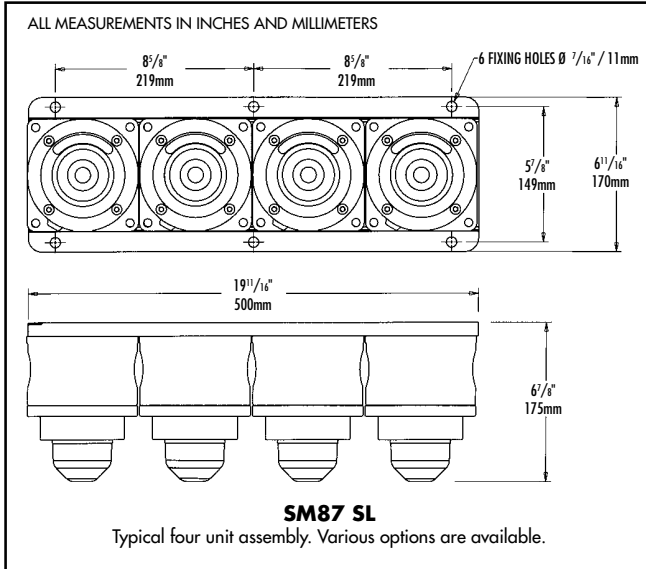
Available as Xenon, filament and fluorescent beacons/strobes.

The SM87 SL range is manufactured in marine grade alloy and the XB12 SL in corrosion-free GRP to provide a wide range of status lights to suit clients' requirements.

All units can be supplied as 1, 2, 3 or 4 way.

European, Russian and other worldwide approvals are available, refer to main section of catalog.

- ★ *UL listed for USA and Canada
 - Class I, Div. 1 & 2, Groups C & D.
 - Class I, Zone 1, AExd IIB T6.
 - ★ *CSA certified.
 - ★ ATEX approved.
 - ★ *Xenon, fluorescent, filament.
 - ★ NEMA 4x and 6, IP66 & 67.
 - ★ Certified temperature –67°F to +131°F.
–55°C to +55°C.
 - ★ *4 wire monitored connexion.
 - ★ Marine grade alloy or GRP.
 - ★ Close-coupled and pre-wired to customer's requirements.
- *Model dependant.



Specification

	SM87 SL	XB12 SL
Lamp Types	Xenon 6 joules maximum. Fluorescent 10W or 5W. Filament 40W maximum.	Xenon 21 joules. Filament 60W.
Voltage Frequency	50 Hz as standard. 60 Hz available if required.	
Xenon Voltages	24, 48V d.c. 110, 120, 240, 254V a.c. (see SM87 HXB data sheet for further information)	24V d.c., 110V, 240V a.c. (see XB12 data sheet for further information)
Filament Voltages	12, 24, 48V d.c., 110, 220, 240, 254V a.c. (see SM87 LU3 data sheet for further information)	120V a.c. (see FB12 data sheet for further information)
Fluorescent Voltages	12, 24, 48V, 220, 240, 254V a.c. (see SM87 LU1 data sheet for further information)	-
Lamp Colours	Red, Amber, Yellow, Green, Blue or Clear.	
Certification	UL Listed for USA and Canada Class I, Div 1, Groups C & D, Class I, Zone 1, AExd IIB T6. Listing No. E187894. CSA Certified: Class 1, Div 1 & 2, Group D. Cert. No. 96406. ATEX Approved: EExd IIC T4 (filament), EExd IIC T6 (Fluorescent & Xenon). Cert. No. Baseefa 03ATEX0222X, CENELEC EN50014, EN50018.	UL Listed for USA and Canada Class I, Div 2, Groups C & D, Class I, Zones 1 & 2, AExd IIB T4/T5. Listing No. E187894. ATEX Approved: EExd IIB T4/T5. Cert. No. 99 ATEX 2196 CENELEC EN50014 and EN50018.
Terminals	Will accept up to 14AWG cable.	Will accept up to 6 off 10AWG cable.
Wiring	Standard configuration of internal wiring is to common the negative/neutral connexions. If individually wired lamps are required, please state requirements.	
Entries	Up to 3 x 1/2" or 3/4" NPT.	1 x 1/2" NPT.
Enclosure	LM 25TF Marine Grade Alloy.	GRP.
Lens	Glass	
Finish	Epoxy paint as standard or to customer's specification.	Natural Black or Epoxy paint to customer's specification.
Ingress Protection	NEMA 4x and 6, IP66 & 67.	
Ambient Temp.	-13°F to 131°F (-25°C to +55°C) - Class I, Div 1. -67°F to +131°F (-55°C to +55°C) - Class I, Zone 1.	-67°F to +158°F (-55°C to +70°C).

Note: XB11 SLUL also available.